

Design Features:

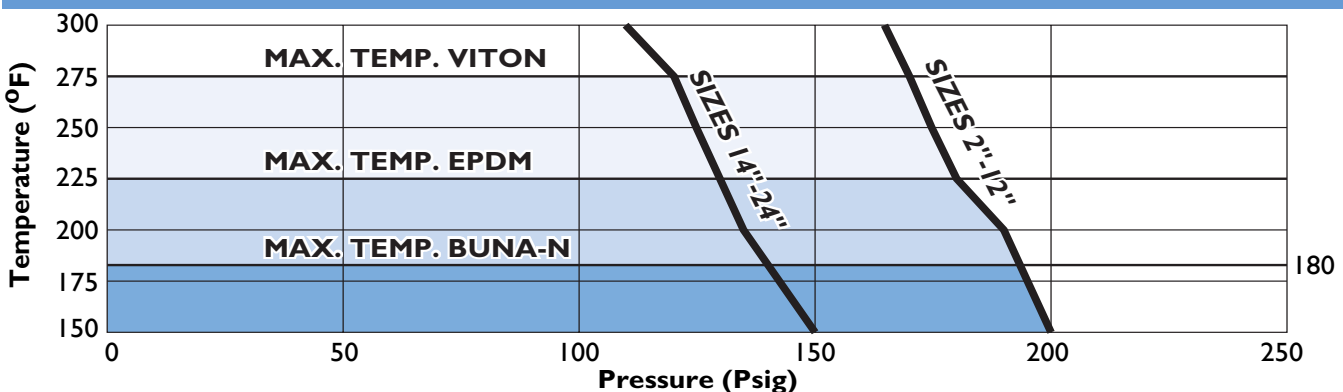
- Standard sizes from 6" - 24".
- Available with RF or RTJ flanged (ASME B16.5) or Buttweld (ASME B16.9) end connections.
- Standard thru bolt cover design.
- Custom modifications are available.
- May be installed in horizontal pipelines.
- All welders qualified to ASME Section IX.
- Strainers designed to meet the requirements of ASME B31.1, ASME B31.3 and/or ASME Section VIII, Div. I.
- Four individual operated butterfly valves (IFC series BII25W/L) are used to divert and isolate flow. Ball, gate and other isolation valve types may be used if requested.
- 304 SS perforated screens are standard.
- Drains and differential connections are standard and are furnished with plug.
- Vents and special covers are optional (See pages 21-22).

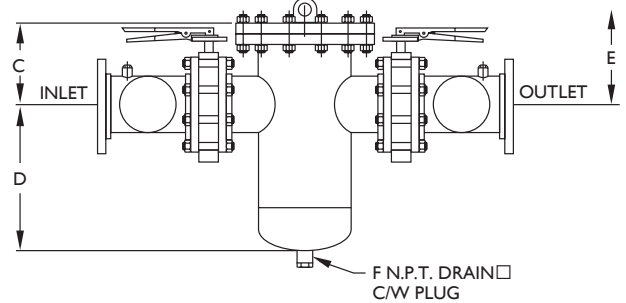
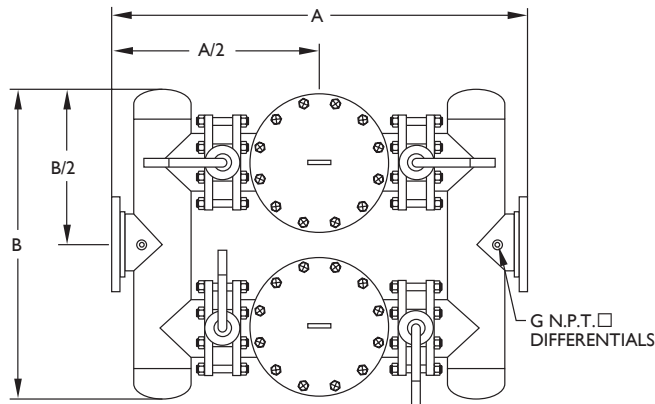
Parts List and Standard Materials

Part	Description	Specifications	
		Carbon Steel	Stainless Steel ¹
Basket Strainers x 2	IFC Series BI50 ² Screen ³ : Cover Gasket ³ :	Fabricated Carbon Steel Type 304 SS 304 SS Spiral Wound	Fabricated Stainless Steel Type 304 SS 304 SS Spiral Wound
Butterfly Valves x 4	IFC Series BII25W/L ⁴ Seat: Disc:	ASTM A126-B ⁵ EPDM or Buna-N 316 SS, Bronze or Ductile Iron.	ASTM A126-B ⁵ EPDM or Buna-N 316 SS, Bronze or Ductile Iron.
Manifolds x 2	Pipe Flanges Couplings / Threadolets	A53 E/B, A106-B A105 A105	A312 A182 A182
Hardware:	Studs Nuts	A193-B7 A194-2H	A193-B8-1 A194-8
Gaskets		304 SS Spiral Wound	304 SS Spiral Wound

- Notes:** 1. 304 SS strainers use 304 grade material, 316 SS strainers use 316 grade material, etc.
 2. See page 13 for detailed information.
 3. Recommended Spares.
 4. Consult the IFC "Butterfly Valve" brochure for detailed information.
 5. Non-wetted.
 6. For strainers designed to ASME Section VIII, Div. I the "A" designation becomes "SA".

IFC Series DBI50 Pressure Temperature Chart (Using IFC BII25W/L Butterfly Valves)





Standard Screens

Size Range	Opening	Gauge Thickness
2" - 8" (50mm - 200mm)	0.125 in. (3.2mm)	22
10" - 12" (250mm - 300mm)	0.125 in. (3.2mm)	16
14" - 24" (350mm - 600mm)	0.188 in. (4.8mm)	11

Dimensional Data (Style I)

Size ¹ in. (mm)	A in. (mm)	B in. (mm)	C in. (mm)	D in. (mm)	E in. (mm)	F NPT in. (mm)	G NPT in. (mm)	Weight Lb. (kg.) Cover	Unit
2" 50	32.00 813	20.00 508	6.00 152	11.00 279	25.00 635	3/4 20	1/2 15	26 12	280 127
3" 80	38.00 965	24.00 610	8.00 203	14.00 356	29.00 737	1 25	1/2 15	45 20	300 136
4" 100	38.00 965	26.00 660	8.00 203	14.00 356	31.00 787	1 25	1/2 15	45 20	450 204
6" 150	48.00 1219	36.00 914	10.00 254	17.00 432	36.00 914	1 25	1/2 15	70 32	700 318
8" 200	57.00 1448	43.00 1092	12.00 305	21.00 533	43.00 1092	1 25	1/2 15	110 50	1400 636
10" 250	76.00 1930	55.00 1397	13.00 330	25.00 635	58.00 1473	1 1/2 40	1/2 15	180 82	1850 840
12" 300	85.00 2159	57.00 1448	14.00 356	28.00 711	62.00 1575	1 1/2 40	1/2 15	220 100	2750 1249
14" 350	92.00 2337	60.00 1524	18.00 457	33.00 838	65.00 1651	2 50	1/2 15	285 129	4000 1816
16" 400	104.00 2642	64.00 1626	20.00 508	36.00 914	72.00 1829	2 50	3/4 20	430 195	5300 2406
18" 450	116.00 2946	82.00 2083	20.00 508	40.00 1016	80.00 2032	2 50	3/4 20	430 195	5900 2679
20" 500	120.00 3048	87.00 2210	24.00 610	46.00 1168	90.00 2286	2 50	3/4 20	965 438	8000 3632
24" 600	132.00 3353	94.00 2388	28.00 711	40.00 1016	110.00 2794	2 50	3/4 20	1540 699	9000 4086

Notes: 1. Other sizes available. Consult factory.

2. Dimensions can be modified to suit the customers requirements. Please consult factory.

3. Legs and other supports are available.

4. Vents are optional.

General:

1. For further optional features see pages 21-22.

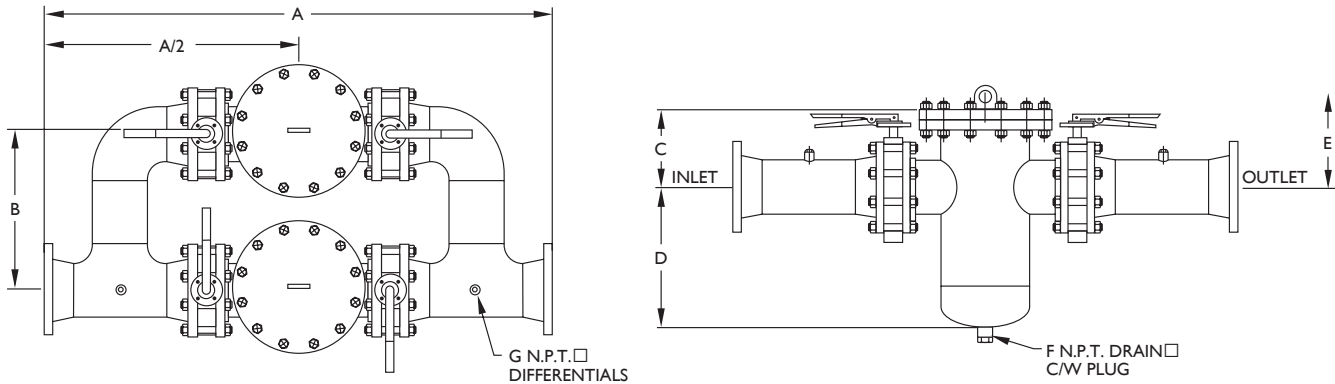
2. Other perforations and screen materials available. Please see page 24.

3. For pressure loss information see page 25.

4. For ordering information please see page 38.

5. Dimensions shown are subject to change.

Contact factory for certified prints when required.



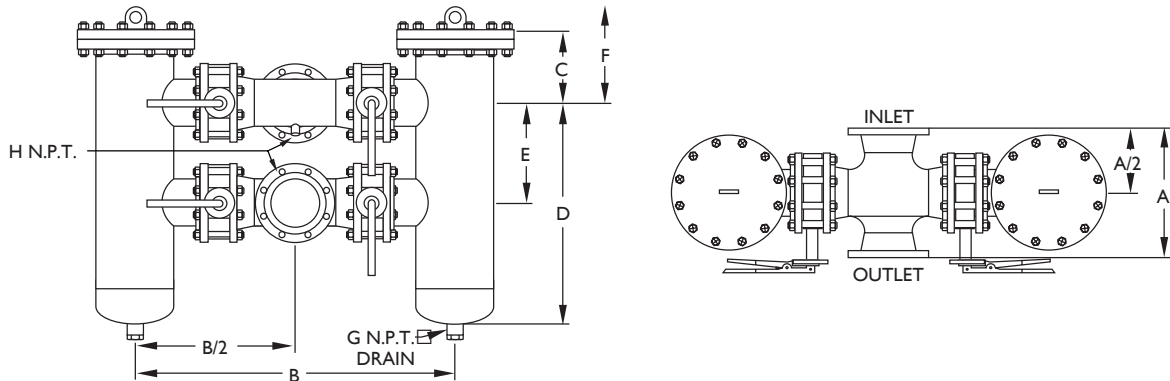
Standard Screens

Size Range	Opening	Gauge Thickness
2" - 8" (50mm - 200mm)	0.125 in. (3.2mm)	22
10" - 12" (250mm - 300mm)	0.125 in. (3.2mm)	16
14" - 24" (350mm - 600mm)	0.188 in. (4.8mm)	11

Dimensional Data (Style 2)

Size ¹ in. (mm)	A in. (mm)	B in. (mm)	C in. (mm)	D in. (mm)	E in. (mm)	F NPT in. (mm)	G NPT in. (mm)	Weight Lb. (kg.) Cover Unit
2" 50	36.00 914	13.00 330	6.00 152	11.00 279	25.00 635	3/4 20	1/2 15	26 12 280 127
3" 80	42.00 1067	16.00 406	8.00 203	14.00 356	29.00 737	1 25	1/2 15	45 20 300 136
4" 100	49.00 1245	16.00 406	8.00 203	14.00 356	31.00 787	1 25	1/2 15	45 20 450 204
6" 150	62.00 1575	18.00 457	10.00 254	17.00 432	36.00 914	1 25	1/2 15	70 32 700 318
8" 200	74.00 1880	22.00 559	12.00 305	21.00 533	43.00 1092	1 25	1/2 15	110 50 1400 636
10" 250	92.00 2337	28.00 711	13.00 330	25.00 635	58.00 1473	1 1/2 40	1/2 15	180 82 1850 840
12" 300	104.00 2642	24.00 610	14.00 356	28.00 711	62.00 1575	1 1/2 40	1/2 15	220 100 2750 1249
14" 350	114.00 2896	32.00 813	18.00 457	33.00 838	65.00 1651	2 50	1/2 15	285 129 4000 1816
16" 400	126.00 3200	32.00 813	20.00 508	36.00 914	72.00 1829	2 50	3/4 20	430 195 5300 2406
18" 450	140.00 3556	40.00 1016	20.00 508	40.00 1016	80.00 2032	2 50	3/4 20	430 195 5900 2679
20" 500	156.00 3962	40.00 1016	24.00 610	46.00 1168	90.00 2286	2 50	3/4 20	965 438 8000 3632
24" 600	182.00 4623	48.00 1219	28.00 711	40.00 1016	110.00 2794	2 50	3/4 20	1540 699 9000 4086

- Notes:**
1. Other sizes available. Consult factory.
 2. Dimensions can be modified to suit the customers requirements. Please consult factory.
 3. Legs and other supports are available. Please contact factory.
 4. Vents are optional.



Standard Screens

Size Range	Opening	Gauge Thickness
2" - 8" (50mm - 200mm)	0.125 in. (3.2mm)	22
10" - 12" (250mm - 300mm)	0.125 in. (3.2mm)	16
14" - 24" (350mm - 600mm)	0.188 in. (4.8mm)	11

Dimensional Data (Style 3)

Size ¹ in (mm)	A in (mm)	B in (mm)	C in (mm)	D in (mm)	E in (mm)	F in (mm)	G NPT in (mm)	H NPT in (mm)	Weight Lb. (kg.) Cover Unit	
2" 50	10.00 254	26.00 660	6.00 152	20.00 508	14.00 356	32.00 813	³ / ₄ 20	¹ / ₂ 15	26 12	280 127
3" 80	12.25 311	30.00 762	8.00 203	22.50 572	14.50 368	38.50 978	1 25	¹ / ₂ 15	45 20	300 136
4" 100	14.25 362	36.00 914	8.00 203	25.50 648	17.50 445	41.50 1054	1 25	¹ / ₂ 15	45 20	450 204
6" 150	18.25 464	44.00 1118	10.00 254	31.00 787	21.00 533	51.00 1295	1 25	¹ / ₂ 15	70 32	700 318
8" 200	22.00 559	50.00 1270	12.00 305	35.00 889	23.00 584	59.00 1499	1 25	¹ / ₂ 15	110 50	1400 636
10" 250	25.00 635	64.00 1626	13.00 330	39.00 991	28.00 660	65.00 1651	¹ / ₂ 40	¹ / ₂ 15	180 82	1850 840
12" 300	29.00 737	72.00 1829	14.00 356	48.00 1219	30.00 762	72.00 1829	¹ / ₂ 40	¹ / ₂ 15	220 100	2750 1249
14" 350	32.00 813	76.00 1930	18.00 457	50.00 1270	32.00 813	86.00 2184	2 50	¹ / ₂ 15	285 129	4000 1816
16" 400	34.00 864	84.00 2134	20.00 508	54.00 1372	34.00 864	94.00 2388	2 50	³ / ₄ 20	430 195	5300 2406
18" 450	38.00 965	94.00 2388	20.00 508	56.00 1422	36.00 914	96.00 2438	2 50	³ / ₄ 20	430 195	5900 2679
20" 500	41.38 1051	104.00 2642	24.00 610	64.00 1626	40.00 1016	112.00 2845	2 50	³ / ₄ 20	965 438	8000 3632
24" 600	46.00 1168	122.00 3099	28.00 711	76.00 1930	48.00 1219	132.00 3353	2 50	³ / ₄ 20	1540 699	9000 4086

Notes: 1. Other sizes available. Consult factory.

2. Dimensions can be modified to suit the customers requirements. Please consult factory.
3. Legs and other supports are available.
4. Vents are optional.

General:

1. For further optional features see pages 21-22.
2. Other perforations and screen materials available. Please see page 24.

3. For pressure loss information see page 25.
4. For ordering information please see page 38.
5. Dimensions shown are subject to change. Contact factory for certified prints when required.