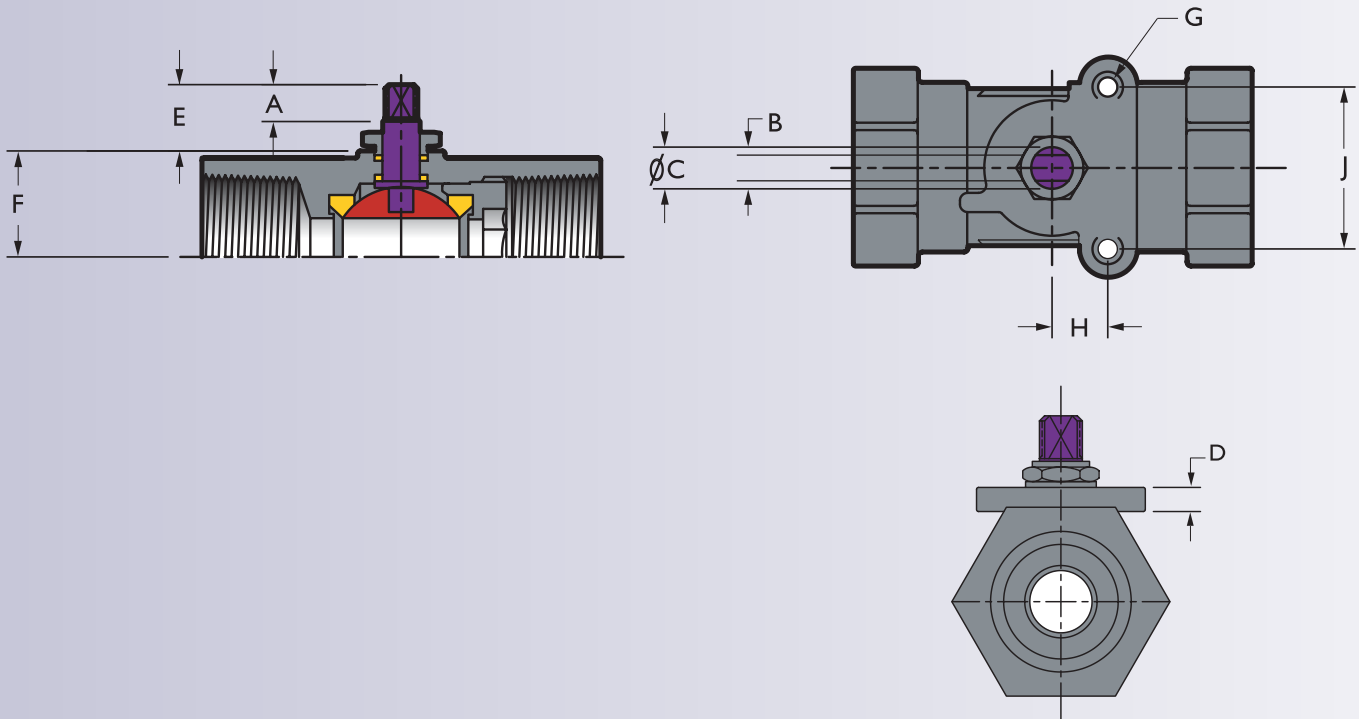


ACTUATOR MOUNTING DIMENSIONS

IFC SERIES IRB20TC CARBON STEEL BODY – 2000 PSIG
IFC SERIES IRB20TC STAINLESS STEEL BODY – 2000 PSIG



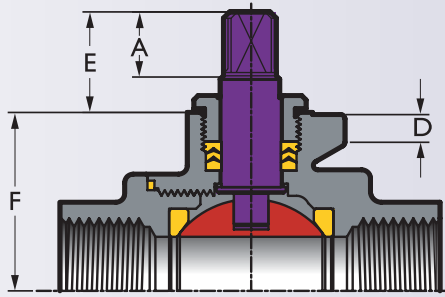
IFC SERIES IRB20 - UNIBODY BALL VALVES - 2000 PSIG

SIZE in/mm	A in/mm	B in/mm	C	D in/mm	E in/mm	F in/mm	G	H in/mm	J in/mm
1/2 15	0.30 7.7	0.16 4.00	1/4"-28UNF	0.24 6.0	0.36 9.14	0.63 16.0	10#-24UNC	0.41 10.40	1.12 28.50
3/4 20	0.31 7.9	0.2 5.00	5/16"-24UNF	0.34 6.0	0.48 12.19	0.87 22.0	10#-24UNC	0.41 10.40	1.12 28.50
1 25	0.53 13.5	0.28 7.00	7/16"-14UNC	0.26 6.5	0.73 18.54	1.08 27.5	10#-24UNC	0.47 12.00	1.38 35.0
1-1/4 35	0.53 13.5	0.28 7.00	7/16"-14UNC	0.26 6.5	0.71 18.03	1.26 32.0	10#-24UNC	0.47 12.00	1.38 35.0
1-1/2 40	0.65 16.5	0.35 9.00	9/16"-12UNC	0.31 8.0	0.88 22.35	1.59 40.5	1/4"-20UNC	0.65 16.50	1.75 44.50
2 50	0.65 16.5	0.35 9.00	9/16"-12UNC	0.31 8.0	0.88 22.35	1.77 45.0	1/4"-20UNC	0.65 16.50	1.75 44.50

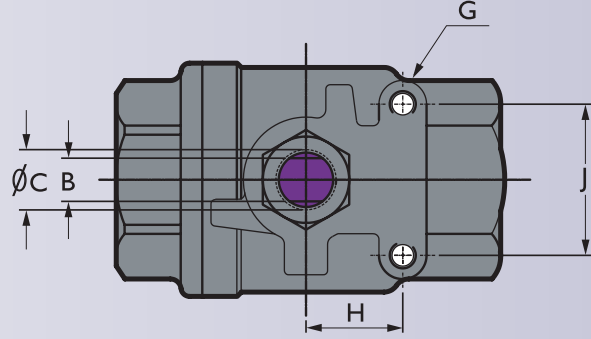
ACTUATOR MOUNTING DIMENSIONS

IFC SERIES 2FB10 STAINLESS STEEL BODY – 1000 PSIG

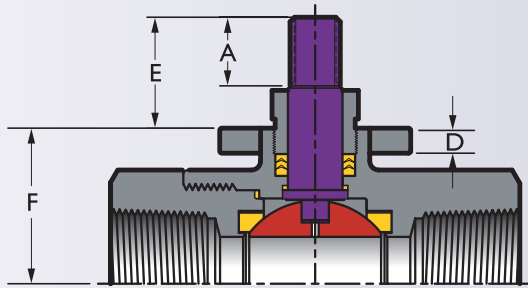
IFC SERIES 2SB900 CAST STEEL BODY – ANSI CLASS 900 LB



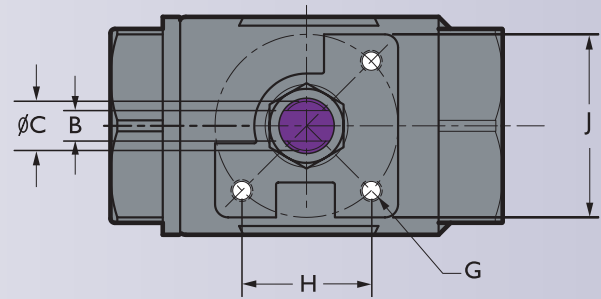
IFC SERIES 2FB10



IFC SERIES 2FB10



IFC SERIES 2SB900



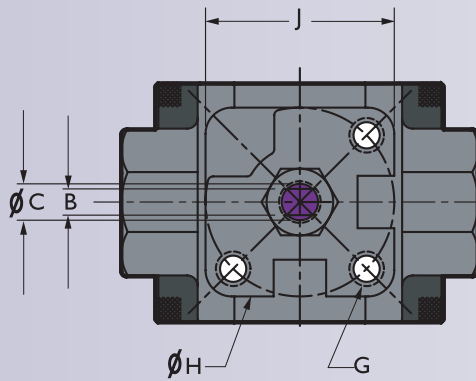
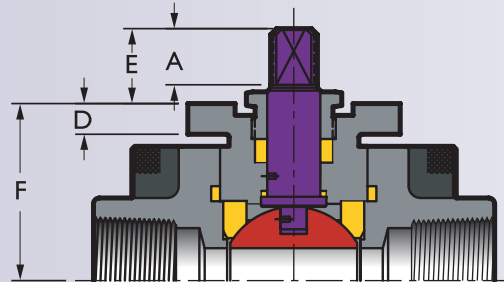
IFC SERIES 2SB900

IFC SERIES 2FB10 AND 2SB900 - TWO PIECE BALL VALVES - 1000 PSIG / ANSI 900 LB

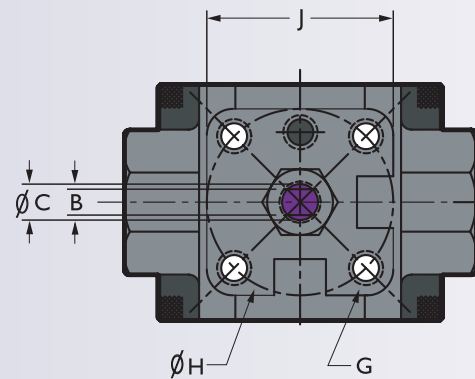
SIZE in/mm	ISO 5211	A in/mm		B in/mm		C		D in/mm		E in/mm		F in/mm		G in/mm		H in/mm		J in/mm	
		2SB900	2FB10	2SB900	2FB10	2SB900	2FB10	2SB900	2FB10	2SB900	2FB10	2SB900	2FB10	2SB900	2FB10	2SB900	2FB10	2SB900	2FB10
1/4 8	F03	0.46	0.39	0.20	0.20	3/8" - 24 UNF	5/16" - 24 UNF	0.20	0.20	0.71	0.61	0.90	0.92	M5 x 0.8 Qty 2	1/4" - 20UNC	0.50	1.42	1.12	1.42
		11.6	10.0	5.0	5.0			5.20	5.20	18.03	15.40	22.80	23.4			12.70	36.00	28.45	36.00
3/8 10	F03	0.46	0.39	0.20	0.20	3/8" - 24 UNF	5/16" - 24 UNF	0.24	0.20	0.71	0.61	0.90	0.92	M5 x 0.8 Qty 2	1/4" - 20UNC	0.50	1.42	1.12	1.42
		11.6	10.0	5.0	5.0			6.20	5.20	18.03	15.40	22.80	23.4			12.70	36.00	28.45	36.00
1/2 15	F03	0.46	0.39	0.20	0.20	3/8" - 24 UNF	5/16" - 24 UNF	0.20	0.20	0.73	0.61	0.96	0.92	M5 x 0.8 Qty 2	1/4" - 20UNC	0.50	1.42	1.12	1.42
		11.6	10.0	5.0	5.0			5.0	5.2	18.54	15.40	24.40	23.4			12.70	36.00	28.45	36.00
3/4 20	F04	0.55	0.60	0.24	0.28	7/16" - 20 UNF	7/16" - 14 UNC	0.12	0.20	0.89	0.89	1.17	1.17	M5 x 0.8 Qty 2	1/4" - 20UNC	0.50	1.65	1.12	1.65
		14.0	15.3	6.0	7.0			3.0	5.2	22.61	22.60	29.60	29.7			12.70	42.00	28.45	42.00
1 25	F04	0.52	0.59	0.38	0.28	7/16" - 20 UNF	7/16" - 14 UNC	0.12	0.20	0.98	0.99	1.50	1.33	M5 x 0.8 Qty 2	1/4" - 20UNC	0.88	1.65	1.38	1.65
		13.1	15.0	9.6	7.0			3.0	5.2	24.89	25.20	38.10	33.9			22.35	42.00	35.05	42.00
1-1/4 35	F05	0.52	0.71	0.38	0.35	7/16" - 20 UNF	9/16" - 12 UNC	0.12	0.24	1.02	1.15	1.79	1.61	M6 x 1.0 Qty 2	1/4" - 20UNC	0.88	1.97	1.38	1.97
		13.1	18.0	9.6	9.0			3.0	6.2	25.91	29.30	45.50	40.9			22.35	50.00	35.05	50.00
1-1/2 40	F05	0.65	0.71	0.38	0.35	1/2" - 20 UNC	9/16" - 12 UNC	0.12	0.24	1.18	1.15	2.03	1.83	M6 x 1.0 Qty 2	1/4" - 20UNC	0.91	1.97	1.50	1.97
		16.5	18.0	9.6	9.0			3.0	6.2	29.97	29.30	51.50	46.4			23.11	50.00	38.10	50.00
2 50	F05	0.65	0.71	0.38	0.35	1/2" - 20 UNC	9/16" - 12 UNC	0.12	0.24	1.18	1.18	2.33	2.00	M6 x 1.0 Qty 2	1/4" - 20UNC	0.91	1.97	1.50	1.97
		16.5	18.0	9.6	9.0			3.0	6.2	29.97	30.00	59.10	50.7			23.11	50.00	38.10	50.00
2-1/2 65	N/A	0.89	N/A	0.47	N/A	3/4" - 10 UNC	N/A	0.20	N/A	1.57	N/A	2.95	N/A	M6 x 1.0 Qty 2	N/A	1.14	N/A	1.97	N/A
		22.5	N/A	12.0	N/A			5.20	N/A	39.88	N/A	75.00	N/A			28.96	N/A	50.04	N/A
3 80	N/A	0.89	N/A	0.47	N/A	3/4" - 10 UNC	N/A	0.20	N/A	1.57	N/A	3.30	N/A	M6 x 1.0 Qty 2	N/A	1.14	N/A	2.20	N/A
		22.5	N/A	12.0	N/A			5.0	N/A	39.88	N/A	83.70	N/A			28.96	N/A	55.88	N/A

ACTUATOR MOUNTING DIMENSIONS

IFC SERIES 3FB10 – STAINLESS STEEL BODY – 1000 PSIG
IFC SERIES 3SB20 – CARBON STEEL BODY – 2000 PSIG



IFC SERIES 3FB10



IFC SERIES 3SB20

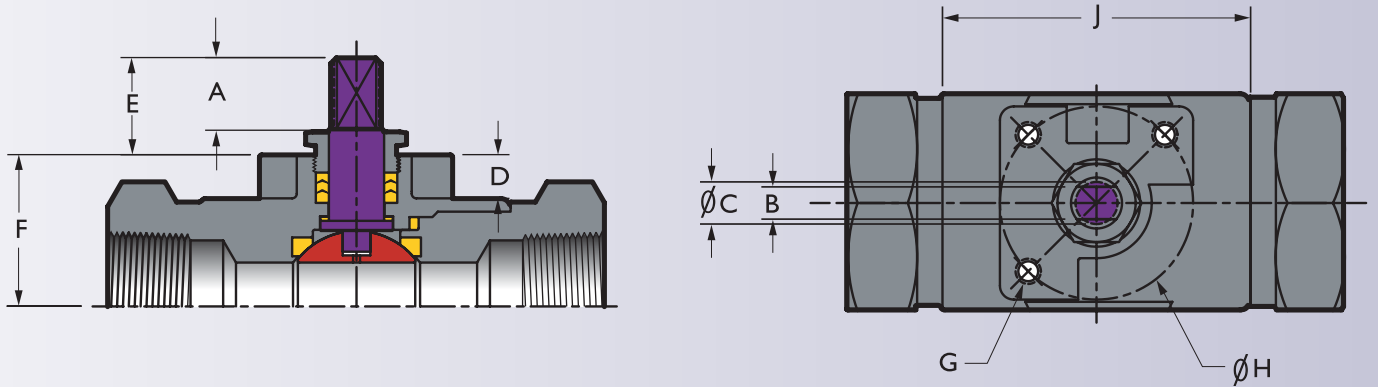
IFC SERIES 3FB10 AND 3SB20 - THREE PIECE BALL VALVES - 1000 / 2000 PSIG

SIZE in/mm	ISO 5211	A in/mm		B in/mm		C in/mm		D in/mm		E in/mm		F in/mm		G in/mm		H in/mm	J in/mm
		3FB10	3SB20	3FB10	3SB20	3FB10	3SB20	3FB10	3SB20	3FB10	3SB20	3FB10	3SB20	3FB10	3SB20		
1/4 8	F03	0.46 11.68	N/A	0.20 5.08	N/A	3/8" - 24 UNF	N/A	0.14 3.56	N/A	0.68 17.27	N/A	0.95 24.13	N/A	M5 x 0.8 Qty 3	N/A	1.42 36.07	1.42 36.07
3/8 10	F03	0.46 11.68	N/A	0.20 5.08	N/A	3/8" - 24 UNF	N/A	0.14 3.56	N/A	0.68 17.27	N/A	0.95 24.13	N/A	M5 x 0.8 Qty 3	N/A	1.42 36.07	1.42 36.07
1/2 15	F03	0.53 13.46	0.41 10.41	0.20 5.08	0.20 5.08	3/8" - 24 UNF	5/16" - 24 UNF	0.12 3.05	0.20 5.08	0.76 19.30	0.50 12.7	1.02 25.91	1.20 30.48	M5 x 0.8 Qty 3	M5 x 0.8 Qty 4	1.42 36.07	1.42 36.07
3/4 20	F03	0.55 13.97	0.41 10.41	0.24 6.10	0.20 5.08	7/16" - 20 UNF	5/16" - 24 UNF	0.22 5.59	0.22 5.59	0.88 22.35	0.50 12.7	1.17 29.72	1.36 34.54	M5 x 0.8 Qty 3	M5 x 0.8 Qty 4	1.42 36.07	1.42 36.07
1 25	F04	0.52 13.21	0.60 15.24	0.38 9.65	0.28 7.11	7/16" - 20 UNF	7/16" - 20 UNF	0.3 7.62	0.22 5.59	1.00 25.40	0.75 19.05	1.50 38.10	1.59 40.39	M5 x 0.8 Qty 3	M5 x 0.8 Qty 4	1.65 41.91	1.65 41.91
1-1/4 35	F04	0.52 13.21	0.63 16.00	0.38 9.65	0.31 7.87	7/16" - 20 UNF	1/2" - 20 UNF	0.28 7.11	0.22 5.59	1.00 25.40	0.88 22.35	1.70 43.18	1.81 45.97	M5 x 0.8 Qty 3	M5 x 0.8 Qty 4	1.65 41.91	1.65 41.91
1-1/2 40	F05	0.65 16.51	0.69 17.53	0.38 9.65	0.39 9.91	1/2" - 20 UNC	5/8" - 18 UNF	0.28 7.11	0.22 5.59	1.17 29.72	0.96 24.38	1.98 50.29	1.95 49.53	M6 x 1.0 Qty 3	M6 x 1.0 Qty 4	1.97 50.04	1.97 50.04
2 50	F05	0.65 16.51	0.69 17.53	0.38 9.65	0.39 9.91	1/2" - 20 UNC	5/8" - 18 UNF	0.28 7.11	0.28 7.11	1.17 29.72	1.00 25.40	2.27 57.66	2.17 55.12	M6 x 1.0 Qty 3	M6 x 1.0 Qty 4	1.97 50.04	1.97 50.04
2-1/2 65	F07	0.89 22.61	N/A	0.47 11.94	N/A	3/4" - 10 UNC	N/A	0.31 7.87	N/A	1.55 39.37	N/A	2.95 74.93	N/A	M8 x 1.25 Qty 3	N/A	2.75 69.85	2.75 69.85
3 75	F07	0.89 22.61	N/A	0.47 11.94	N/A	3/4" - 10 UNC	N/A	0.31 7.87	N/A	1.55 39.37	N/A	3.30 83.82	N/A	M8 x 1.25 Qty 3	N/A	2.75 69.85	2.75 69.85

ACTUATOR MOUNTING DIMENSIONS

IFC SERIES 2FB1500/2SB1500 – ANSI CLASS 1500 LB

IFC SERIES 2FB60/2SB60 – 6000 PSIG



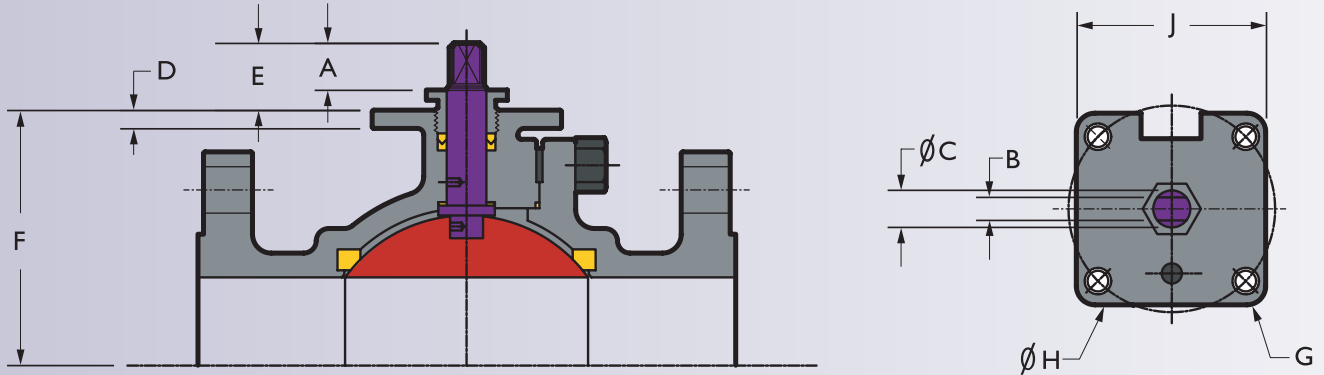
IFC STRONG-NECK BALL VALVES - ANSI 1500 LB / 6000 PSIG

SIZE in/mm	ISO 5211	A in/mm	B in/mm	C	D in/mm	E in/mm	F in/mm	G	H in/mm	J in/mm
1/4 8	F03	0.33 8.5	0.20 5.0	5/16"-24UNF	0.35 9.0	0.61 15.4	0.97 24.7	M5x0.8	1.42 36.0	1.71 43.5
1/2 15	F03	0.33 8.5	0.20 5.0	5/16"-24UNF	0.35 9.0	0.61 15.4	0.97 24.7	M5x0.8	1.42 36.0	1.86 47.3
3/4 20	F04	0.73 18.50	0.28 7.0	7/16"-14UNC	0.22 5.7	0.84 21.4	1.29 32.7	M5x0.8	1.65 42.0	2.64 67.0
1 25	F04	0.73 18.50	0.28 7.0	7/16"-14UNC	0.22 5.7	0.84 21.4	1.29 32.7	M5x0.8	1.65 42.0	2.64 67.0
1-1/2 40	F07	1.02 25.80	0.39 10.0	5/8"-11UNC	0.34 8.7	1.32 33.5	2.51 63.7	M8x1.25	2.76 70.0	3.35 85.0
2 50	F07	1.02 25.80	0.39 10.0	5/8"-11UNC	0.34 8.7	1.32 33.5	2.51 63.7	M8x1.25	2.76 70.0	3.58 91.0

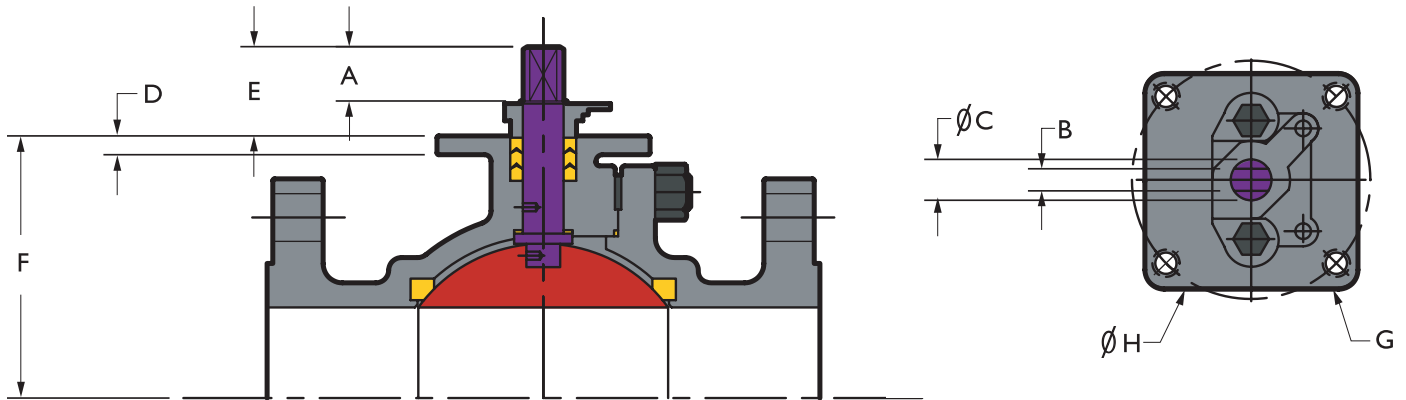
ACTUATOR MOUNTING DIMENSIONS

IFC SERIES 2FB150 – ANSI CLASS 150 LB (285 PSIG MAWP)
 IFC SERIES 2FB300 – ANSI CLASS 300 LB (740 PSIG MAWP)

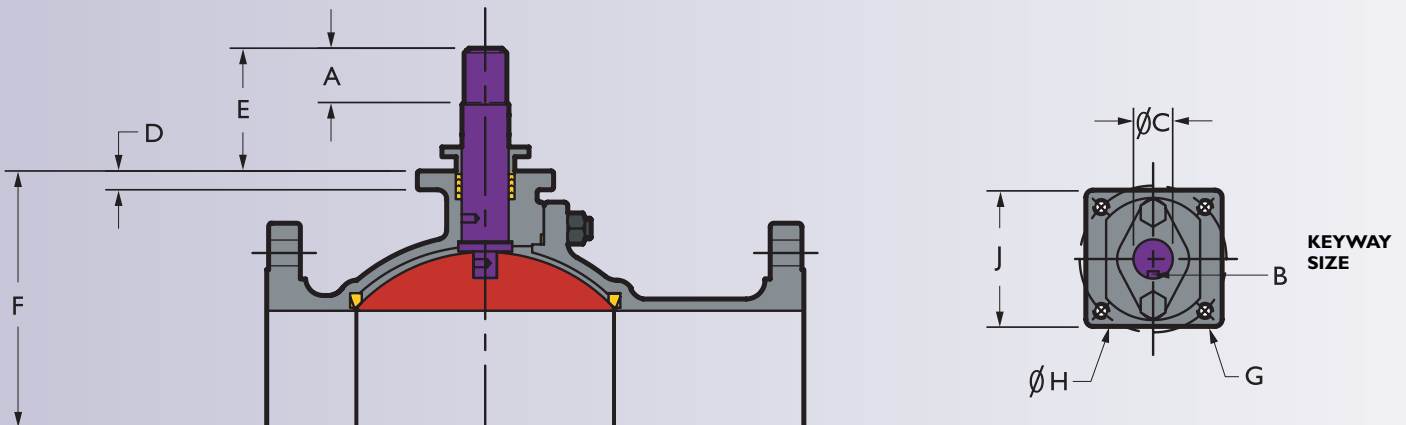
IFC SPLIT BODY FLANGED BALL VALVES - 285 PSIG / 740 PSIG - SIZES 1/2" THRU 2"



IFC SPLIT BODY FLANGED BALL VALVES - 285 PSIG / 740 PSIG - SIZES 2-1/2" THRU 6"



IFC SPLIT BODY FLANGED BALL VALVES - 285 PSIG / 740 PSIG - SIZES 8" THRU 12"



ACTUATOR MOUNTING DIMENSIONS

IFC SERIES 2FB150 – ANSI CLASS 150 LB (285 PSIG MAWP)

IFC SERIES 2FB300 – ANSI CLASS 300 LB (740 PSIG MAWP)

IFC SPLIT BODY FLANGED END BALL VALVES - 285 PSIG / 740 PSIG - SIZES 1/2" THRU 2"

SIZE in/mm	ISO 5211	A in/mm	B in/mm	C	D in/mm	E in/mm	F in/mm	G	H in/mm	J in/mm
1/2 15	F04	0.39 10.0	0.20 5.0	5/16"-24UNF	0.20 5.0	0.59 15.0	1.34 34.0	M5x0.8	1.65 42.0	1.65 42.0
3/4 20	F04	0.62 15.8	0.28 7.0	7/16"-14UNC	0.20 5.0	0.83 21.0	1.54 39.0	M5x0.8	1.65 42.0	1.65 42.0
1 25	F05	0.73 18.6	0.35 9.0	9/16"-12UNC	0.24 6.0	0.91 23.1	1.85 47.0	M6x1.0	1.97 50.0	1.97 50.0
1-1/2 40	F07	0.93 23.7	0.39 10.0	5/8"-11UNC	0.31 8.0	1.23 31.2	2.50 63.5	M8x1.25	2.76 70.0	2.76 70.0
2 50	F07	0.93 23.7	0.39 10.0	5/8"-11UNC	0.31 8.0	1.23 31.2	2.81 71.5	M10x1.5	2.76 70.0	2.76 70.0

IFC SPLIT BODY FLANGED END BALL VALVES - 285 PSIG / 740 PSIG - SIZES 2-1/2" THRU 6"

SIZE in/mm	ISO 5211	A in/mm	B in/mm	C	D in/mm		E in/mm		F in/mm	G	H in/mm	J in/mm
					2FB150	2FB300	2FB150	2FB300				
2-1/2 65	F10	1.09 27.7	0.39 10.0	0.81 20.5	0.49 12.4	N/A	1.75 44.4	N/A	3.67 95.5	M10x1.5	4.02 102.0	3.78 96.0
3 80	F10	1.09 27.7	0.55 14.0	0.81 20.5	0.50 12.7	0.43 10.9	1.75 44.4	1.75 44.4	4.09 104.0	M10x1.5	4.02 102.0	3.78 96.0
4 100	F10	1.30 33.0	0.55 14.0	1.03 26.1	0.55 14.0	0.49 12.4	1.98 50.2	1.49 49.2	5.04 128.0	M10x1.5	4.02 102.0	3.78 96.0
6 150	F12	1.51 38.4	0.91 23.0	1.37 34.8	0.47 11.9	0.55 14.0	2.27 57.7	2.47 62.70	6.77 127.0	M12x1.75	4.92 125.0	4.57 116.0

IFC SPLIT BODY FLANGED END BALL VALVES - 285 PSIG / 740 PSIG - SIZES 8" THRU 12"

SIZE in/mm	ISO 5211	A in/mm	B in/mm	C in/mm	D in/mm	E in/mm	F in/mm	G in/mm	H in/mm	J in/mm
8 200	F12	3.86 98	5/16" x 3-3/4"	1.50 38.1	0.57 14.5	5.47 139	8.58 218	M12x1.75	4.92 125	4.57 116
10 250	F14	5.51 140	1/2" x 5-1/2"	1.81 46	0.72 18.3	7.48 190	10.24 260	M16x2	5.51 140	5.20 132
12 300	F14	5.51 140	1/2" x 5-1/2"	1.81 46	0.63 16	7.48 190	11.61 295	M16x2	5.51 140	5.20 132