

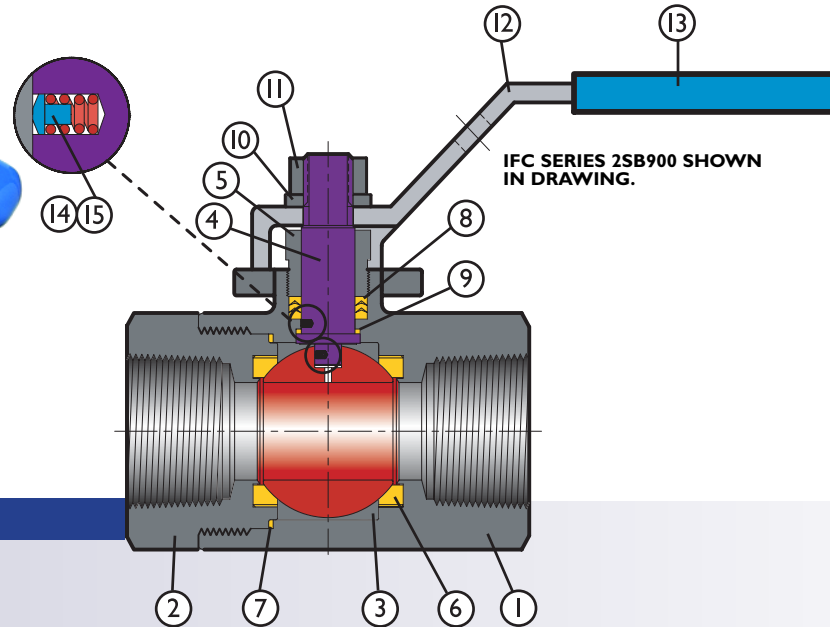
IFC TWO PIECE BALL VALVES

IFC SERIES 2FB10 STAINLESS STEEL BODY – 1000 PSIG

IFC SERIES 2SB900 CAST STEEL BODY – ANSI CLASS 900 LB



IFC SERIES 2FB10 SHOWN IN PICTURE.



DESIGN FEATURES

- FULL PORT – IFC SERIES 2FB10 OR REGULAR PORT IFC SERIES 2SB900
- NPT ENDS TO ASME B1.20.1 OR SOCKET WELD ENDS TO ASME B16.11
- TWO PIECE BODY
- RTFE SEATS STANDARD ON IFC SERIES 2FB10, POLYCARBON SEATS STANDARD ON IFC SERIES 2SB900
- STANDARD 316 SS BALL AND STEM
- BLOWOUT-PROOF STEM
- ADJUSTABLE PACKING GLAND
- STANDARD 304 SS LOCKING LEVER HANDLES
- 2 BOLT MOUNTING ON IFC SERIES 2FB10, ISO 5211 4 BOLT MOUNTING ON IFC SERIES 2SB900
- **EXCLUSIVE TO IFC SERIES 2SB900**
 - FULL SEAL WELDED BODY TO ADAPTER CONNECTION
 - ASME B16.34, CLASS 900 COMPLIANT
 - API 608 COMPLIANT
 - FIRE SAFE TO API 607 4TH EDITION AND ISO 10497
 - NACE MR01-75 COMPLIANT
 - BALL INCLUDES PRESSURE EQUALIZATION HOLE TO PREVENT TRAPPED PRESSURE IN BODY CAVITY.
 - ANTI-STATIC DEVICE

PARTS LIST AND STANDARD MATERIALS

| ITEM | DESCRIPTION | SPECIFICATIONS | | |
|------|-----------------|---------------------|--|---|
| | | IFC SERIES 2FB10 | IFC SERIES 2SB900 Carbon Steel Body | IFC SERIES 2SB900 Stainless Steel Body |
| 1 | BODY | A351-CF8M | A216-WCB | A351-CF8M |
| 2 | CAP | A351-CF8M | A216-WCB | A351-CF8M |
| 3 | BALL | A351-CF8M | A351-CF8M | A351-CF8M |
| 4 | STEM | A276-316 | A276-316 | A276-316 |
| 5 | GLAND | 304 Stainless Steel | S45C | 316 Stainless Steel |
| (1) | 6 BALL SEAT | RTFE | RTFE | RTFE |
| (1) | 7 BODY SEAL | PTFE | GRAPHITE | GRAPHITE |
| (1) | 8 PACKING | PTFE | GRAPHITE | GRAPHITE |
| (1) | 9 THRUSH WASHER | PTFE | RTFE | RTFE |
| 10 | SPRING WASHER | 304 Stainless Steel | Carbon Steel | 316 Stainless Steel |
| 11 | NUT | 304 Stainless Steel | A283 CS | 304 Stainless Steel |
| 12 | HANDLE | 304 Stainless Steel | A283 CS ZP | 304 Stainless Steel |
| 13 | HANDLE SLEEVE | PVC | PVC | PVC |
| 14 | SPRING | N/A | 304SS | 304SS |
| 15 | PLUNGER | N/A | 304SS | 304SS |

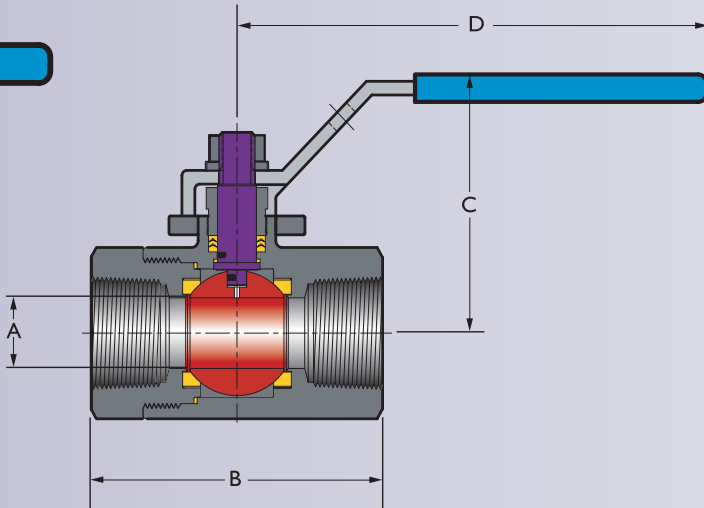
NOTES

1. Standard items included in repair kit
2. Fire safe trim offered as standard whenever possible for IFC Series 2SB900 valves. Consult IFC sales department for fire safe trim.
3. Valve materials of IFC Series 2SB900 meet the requirements of NACE MR01-75.
4. Other seat and seal materials available. See page 24.

IFC TWO PIECE BALL VALVES

IFC SERIES 2FB10 STAINLESS STEEL BODY – 1000 PSIG

IFC SERIES 2SB900 CAST STEEL BODY – ANSI CLASS 900 LB



UPPER PRESSURE LIMITS (NON-SHOCK)

| IFC SERIES | BODY MATERIAL | M.A.W.P. PSIG (BARS) |
|------------|---------------|----------------------|
| 2FB10 | A351-CF8M | 1000 (68.95) |
| 2SB900 | A216-WCB | 2220 (153.06) |
| 2SB900 | A351-CF8M | 2160 (148.93) |

UPPER TEMPERATURE LIMITS

| SEAL MATERIAL | UPPER LIMITS °F (°C) |
|---------------|----------------------|
| RTFE | 400° (204°) |
| PolyCarbon | 650° (343°) |

LOWER TEMPERATURE LIMITS

| BODY MATERIAL | LOWER LIMITS °F (°C) |
|---------------|----------------------|
| A216-WCB | - 20° (-28.9°) |
| A351-CF8M | - 20° (-28.9°) |

IFC SERIES 2FB10 (1000 PSIG) AND IFC SERIES 2SB900 (ANSI 900 LB)

| SIZE in/mm | A in/mm | | B in/mm | | C in/mm | | D in/mm | | Weight Lb./Kg. | | Torque in-Lbs./ N-M | | CV | |
|------------|---------|--------|---------|--------|---------|--------|---------|--------|----------------|--------|---------------------|--------|-------|--------|
| | 2FB10 | 2SB900 | 2FB10 | 2SB900 | 2FB10 | 2SB900 | 2FB10 | 2SB900 | 2FB10 | 2SB900 | 2FB10 | 2SB900 | 2FB10 | 2SB900 |
| 1/4 | 0.46 | 0.43 | 2.36 | 2.64 | 1.97 | 2.23 | 3.94 | 5.04 | 0.53 | 0.46 | 31 | 40 | 10 | 10 |
| 8 | 12 | 11 | 60 | 67 | 50 | 57 | 100 | 128 | 0.24 | 0.21 | 3.5 | 4.5 | | |
| 3/8 | 0.5 | 0.43 | 2.36 | 2.64 | 1.97 | 2.23 | 3.94 | 5.04 | 0.53 | 0.46 | 35 | 40 | 10 | 10 |
| 10 | 13 | 11 | 60 | 67 | 50 | 57 | 100 | 128 | 0.24 | 0.21 | 4.0 | 4.5 | | |
| 1/2 | 0.59 | 0.43 | 2.56 | 2.64 | 1.97 | 2.23 | 3.94 | 5.04 | 0.66 | 0.41 | 48 | 75 | 16 | 16 |
| 15 | 15 | 11 | 65 | 67 | 50 | 57 | 100 | 128 | 0.30 | 0.19 | 5.5 | 8.5 | | |
| 3/4 | 0.79 | 0.59 | 3.07 | 3.08 | 2.36 | 2.72 | 4.92 | 5.75 | 1.04 | 0.81 | 66 | 120 | 35 | 26 |
| 20 | 20 | 15 | 78 | 78 | 60 | 69 | 125 | 146 | 0.47 | 0.37 | 7.5 | 13.0 | | |
| 1 | 0.98 | 0.81 | 3.54 | 3.54 | 2.76 | 2.87 | 6.3 | 5.75 | 1.68 | 1.11 | 97 | 140 | 60 | 42 |
| 25 | 25 | 21 | 90 | 90 | 70 | 73 | 160 | 146 | 0.76 | 0.50 | 11.0 | 16.0 | | |
| 1 1/4 | 1.26 | 0.98 | 3.94 | 4 | 3.15 | 3.47 | 6.3 | 7.2 | 2.49 | 1.82 | 133 | 250 | 100 | 52 |
| 32 | 32 | 25 | 100 | 102 | 80 | 88 | 160 | 183 | 1.13 | 0.83 | 15.0 | 28.0 | | |
| 1 1/2 | 1.5 | 1.25 | 4.72 | 4.25 | 3.54 | 3.69 | 7.48 | 7.76 | 3.86 | 2.39 | 177 | 350 | 150 | 80 |
| 40 | 38 | 32 | 120 | 108 | 90 | 94 | 190 | 197 | 1.75 | 1.09 | 20.0 | 40.0 | | |
| 2 | 1.97 | 1.5 | 5.43 | 4.94 | 3.54 | 3.93 | 7.48 | 7.76 | 5.93 | 3.66 | 354 | 420 | 250 | 115 |
| 50 | 50 | 38 | 138 | 125 | 90 | 100 | 190 | 197 | 2.70 | 1.66 | 40.0 | 48.0 | | |
| 2 1/2 | 2.56 | N/A | 6.54 | N/A | 5.71 | N/A | 9.84 | N/A | 12.39 | N/A | 531 | N/A | 400 | N/A |
| 65 | 65 | N/A | 166 | N/A | 145 | N/A | 250 | N/A | 5.63 | N/A | 60.0 | N/A | | |
| 3 | 3.15 | N/A | 7.68 | N/A | 5.71 | N/A | 9.84 | N/A | 16.53 | N/A | 752 | N/A | 600 | N/A |
| 80 | 80 | N/A | 195 | N/A | 145 | N/A | 250 | N/A | 7.51 | N/A | 85.0 | N/A | | |

NOTES

1. See page 19 for actuator and top works dimensions.
2. For Pressure-Temperature ratings see page 25.
3. Valve Torque information is provided on page 28.
4. See page 29 for sample actuator calculations.
5. "How to Order" can be found on page 32.

Toll Free: 1.866.872.0072 • Toll Free Fax: 1.866.872.0073

Local Calls: 905.335.8777 • Local Fax: 905.335.0977 • Email: ifc@islipflowcontrols.com • www.islipflowcontrols.com