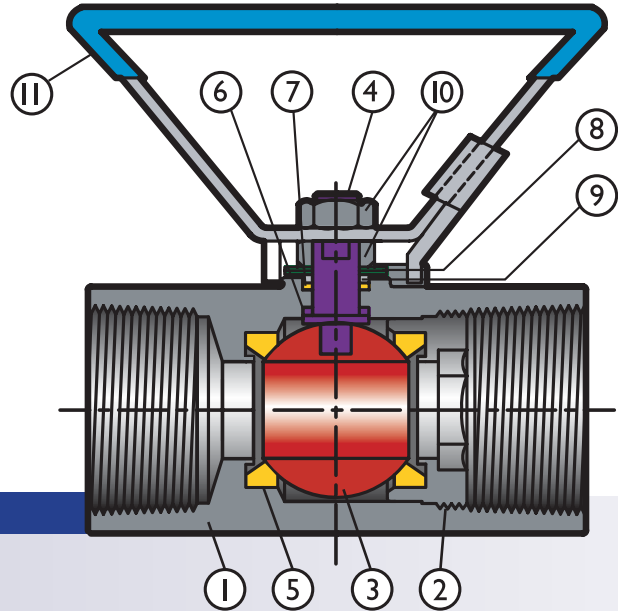


IFC UNIBODY BALL VALVES

IFC SERIES IRB20TC CARBON STEEL BODY – 2000 PSIG

IFC SERIES IRB20TS STAINLESS STEEL BODY – 2000 PSIG



DESIGN FEATURES

- REDUCED PORT, ECONOMICAL STEAM VALVE
- NPT ENDS TO ASME B1.20.1
- ONE PIECE BODY
- POLYCARBON SEATS STANDARD
- STANDARD 316SS BALL AND STEM
- BLOWOUT-PROOF STEM
- STANDARD OVAL LOCKING LEVER HANDLES
- ASME B16.34, CLASS 800 COMPLIANT
- API 608 COMPLIANT
- FIRE SAFE TO API 607 4TH EDITION
- NACE MR01-75 COMPLIANT

OPTIONS

- LOCKING LEVER HANDLE
- TAPPED MOUNTING PAD
- OPTIONAL SEAT AND SEAL MATERIALS
- ECONOMICAL NON-FIRE SAFE VERSION

PARTS LIST AND STANDARD MATERIALS

ITEM	DESCRIPTION	SPECIFICATIONS	
		IFC SERIES IRB20TC CARBON STEEL BODY	IFC SERIES IRB20TS 316 STAINLESS STEEL BODY
1	BODY	A216-WCB	A351-CF8M
2	SPACER	A216-WCB	A351-CF8M
3	BALL	316 STAINLESS STEEL	316 STAINLESS STEEL
4	STEM	316 STAINLESS STEEL	316 STAINLESS STEEL
(1)	5 SEAT	POLYCARBON	POLYCARBON
(1)	6 STEM SEAL	GRAPHOIL	GRAPHOIL
(1)	7 STEM PACKING	GRAPHOIL	GRAPHOIL
8	BELL WASHER	W1-8 CS (SK5)	W1-8 CS (SK5)
9	GLAND	304 STAINLESS STEEL	304 STAINLESS STEEL
10	NUT	A283 CARBON STEEL	304 STAINLESS STEEL
11	HANDLE	A283 CARBON STEEL	304 STAINLESS STEEL

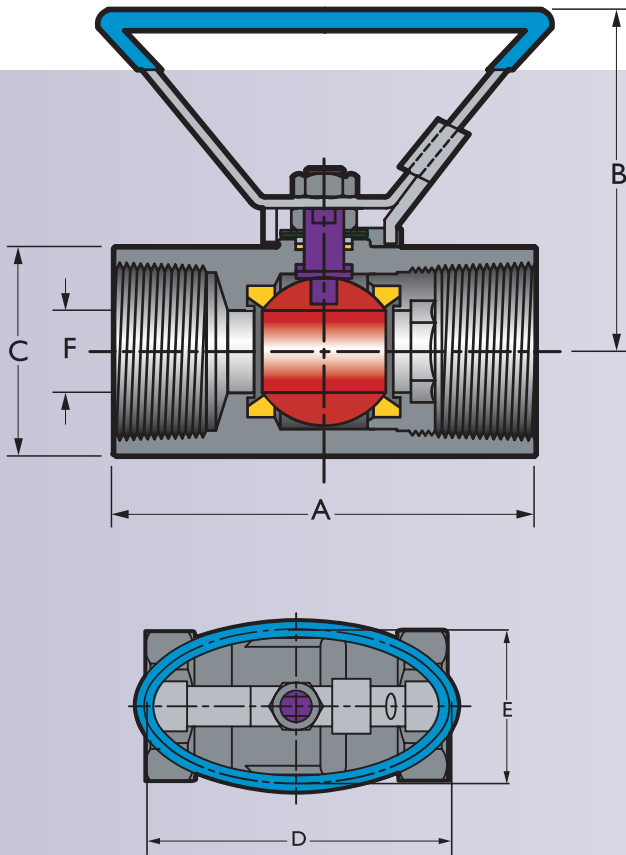
NOTES

1. Standard items included in repair kit
2. Fire safe trim offered as standard whenever possible. Consult IFC sales department for fire safe trim.
3. Valve materials meet the requirements of NACE MR01-75.
4. Other seat and seal materials available. See page 24.

IFC UNIBODY BALL VALVES

IFC SERIES IRB20TC CARBON STEEL BODY – 2000 PSIG

IFC SERIES IRB20TS STAINLESS STEEL BODY – 2000 PSIG



UPPER PRESSURE LIMITS (NON-SHOCK)

IFC SERIES	BODY MATERIAL	M.A.W.P. PSIG (BARS)
IRB20TC	A216-WCB	2000 (137.9)
IRB20TS	A351-CF8M	2000 (137.9)

Note: Steam rating for IFC series IRB20 is 250 psig at 406 F Saturated Steam

UPPER TEMPERATURE LIMITS

SEAL MATERIAL	UPPER LIMITS °F (°C)
RTFE	400° (204°)
PolyCarbon	650° (343°)

LOWER TEMPERATURE LIMITS

BODY MATERIAL	LOWER LIMIT F (°C)
A216-WCB	- 20° (-28.9°)
A351-CF8M	- 20° (-28.9°)

IFC SERIES IRB20TC (WCB BODY) AND IFC SERIES IRB20TS (CF8M BODY)

SIZE in/mm	A in/mm	B in/mm	C in/mm	D in/mm	E in/mm	F in/mm	Weight Lb./Kg.	Torque in-Lbs./N-M	CV
1/4	2.28	2.84	1.00	3.35	2.00	0.35	0.66	50	1.0
8	58	72	25	85	51	9	0.30	5.6	
3/8	2.28	2.84	1.00	3.35	2.00	0.35	0.68	50	2.5
10	58	72	25	85	51	9	0.31	5.6	
1/2	2.63	2.84	1.00	3.35	2.00	0.35	0.75	100	5.5
15	67	72	25	85	51	9	0.34	11.3	
3/4	2.88	2.86	1.31	3.35	2	0.47	0.95	120	10.0
20	73	73	33	85	51	12	0.43	13.6	
1	3.13	3.19	1.56	4.65	2.5	0.62	2.00	130	15.5
25	80	81	40	118	64	16	0.91	14.7	
1-1/4	3.5	3.21	1.93	4.65	2.5	0.81	2.25	245	20.0
35	89	82	49	118	64	21	1.02	27.7	
1-1/2	3.88	3.71	2.25	5.04	3.03	1.00	3.50	365	37.0
40	99	94	57	128	77	25	1.59	41.2	
2	4.25	3.91	2.69	5.04	3.03	1.25	5.00	590	60.0
50	108	99	68	128	77	32	2.27	66.7	

NOTES

1. See page 18 for actuator and top works dimensions.
2. For Pressure-Temperature ratings see page 25.
3. Valve Torque information is provided on page 27.
4. See page 29 for sample actuator calculations.
5. "How to Order" can be found on page 32.