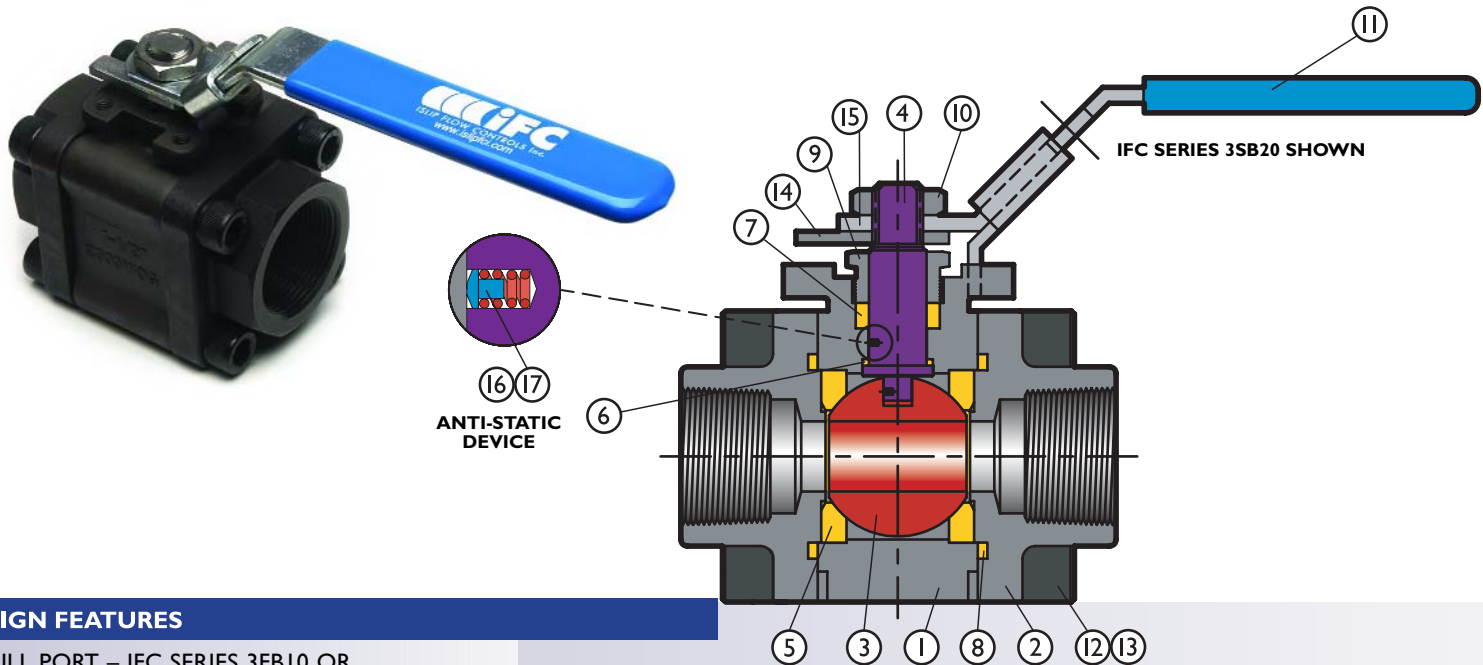


IFC THREE PIECE BALL VALVES

IFC SERIES 3FB10 STAINLESS STEEL BODY – 1000 PSIG
IFC SERIES 3SB20 CARBON STEEL BODY – 2000 PSIG



DESIGN FEATURES

- FULL PORT – IFC SERIES 3FB10 OR REGULAR PORT - IFC SERIES 3SB20
- NPT ENDS TO ASME B1.20.1 OR SOCKET WELD ENDS TO ASME B16.11
- THREE PIECE BODY
- EXPOSED BOLTING ON IFC SERIES 3FB10, 8-BOLT NON EXPOSED BOLTING ON IFC SERIES 3SB20
- RTFE SEATS STANDARD ON IFC SERIES 3FB10, POLYCARBON SEATS STANDARD ON IFC SERIES 3SB20
- STANDARD 316SS BALL AND STEM
- BLOWOUT-PROOF STEM
- ADJUSTABLE PACKING GLAND
- STANDARD 304SS LOCKING LEVER HANDLES
- ISO 5211 4 BOLT MOUNTING
- **EXCLUSIVE TO IFC SERIES 3SB20**
 - ASME B16.34, CLASS 800 COMPLIANT
 - API 608 COMPLIANT
 - FIRE SAFE TO API 607 4TH EDITION AND ISO 10497
 - NACE MR01-75 COMPLIANT
 - ANTI-STATIC DEVICE

PARTS LIST AND STANDARD MATERIALS

ITEM	DESCRIPTION	SPECIFICATIONS	
		IFC SERIES 3FB10	IFC SERIES 3SB20
1	BODY	A351-CF8M	A216-WCB
2	BODY CAP	A351-CF8M	A216-WCB
3	BALL	316 STAINLESS STEEL	316 STAINLESS STEEL
4	STEM	316 STAINLESS STEEL	316 STAINLESS STEEL
(1)	5 SEAT	RTFE	POLYCARBON
(1)	6 STEM SEAL	PTFE	GRAPHOIL
(1)	7 STEM PACKING	PTFE	GRAPHOIL
(1)	8 UNION SEAL	PTFE	GRAPHOIL
9	GLAND	316 STAINLESS STEEL	1045 CARBON STEEL
10	NUT	304 STAINLESS STEEL	304 STAINLESS STEEL
11	HANDLE	304 STAINLESS STEEL	A283 CARBON STEEL
12	CAP BOLT	A193-B8-1	A193-B7 STEEL
13	CAP NUT	A194-8	N/A
14	STOP PLATE	304 STAINLESS STEEL	304 STAINLESS STEEL
15	LOCK PIN	304 STAINLESS STEEL	304 STAINLESS STEEL
16	SPRING	N/A	304 STAINLESS STEEL
17	PLUNGER	N/A	304 STAINLESS STEEL

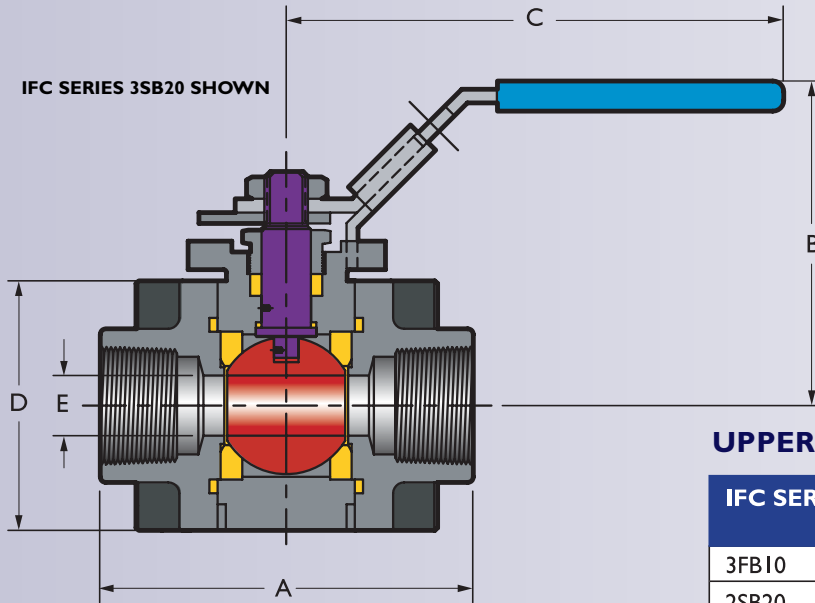
NOTES

1. Standard items included in repair kit
2. Fire safe trim offered as standard whenever possible for IFC Series 3SB20 valves. Consult IFC sales department for fire safe trim.
3. Valve materials of IFC Series 2SB20 meet the requirements of NACE MR01-75.
4. Other seat and seal materials available. See page 24.

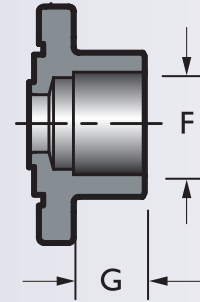
IFC THREE PIECE BALL VALVES

IFC SERIES 3FB10 STAINLESS STEEL BODY – 1000 PSIG

IFC SERIES 3SB20 CARBON STEEL BODY – 2000 PSIG



DEPTH OF SOCKET WELD ENDS



UPPER PRESSURE LIMITS (NON-SHOCK)

IFC SERIES	BODY MATERIAL	M.A.W.P. PSIG (BARS)
3FB10	A351-CF8M	1000 (68.95)
2SB20	A216-WCB	2000 (137.9)

Note: Steam rating for IFC series 3SB20 is 250 psig at 406 F Saturated Steam

UPPER TEMPERATURE LIMITS

SEAL MATERIAL	UPPER LIMITS °F (°C)
RTFE	400° (204°)
PolyCarbon	650° (343°)

LOWER TEMPERATURE LIMITS

BODY MATERIAL	LOWER LIMIT F (°C)
A216-WCB	- 20° (-28.9°)
A351-CF8M	- 20° (-28.9°)

IFC SERIES 3FB10 (1000 PSIG) AND IFC SERIES 3SB20 (2000 PSIG)

SIZE in/mm	A in/mm		B in/mm		C in/mm		D in/mm		E in/mm		F in/mm	G in/mm	Weight Lb./Kg.		Torque in-Lbs./N-M		CV	
	3FB10	3SB20	3FB10	3SB20	3FB10	3SB20	3FB10	3SB20	3FB10	3SB20			3FB10	3SB20	3FB10	3SB20	3FB10	3SB20
1/2 15	2.56 65	2.75 69	2.44 62	2.47 63	3.94 100	4.92 125	1.57 40	1.57 40	0.59 15	0.43 11	0.86 22	0.38 10	1.54 0.7	1.75 0.8	49	85	10	8
3/4 20	2.95 75	2.88 73	2.44 62	2.70 68	4.92 125	4.92 125	1.77 45	1.77 45	0.79 20	0.55 14	1.07 27	0.5 15	1.98 0.9	2.50 1.14	66	150	25	12
1 25	3.35 85	3.50 89	3.15 80	3.19 81	5.87 149	4.92 125	2.09 53	2.09 53	0.98 25	0.81 21	1.34 34	0.5 15	2.98 1.35	4.00 1.81	98	180	35	32
1-1/4 35	3.98 101	3.88 98.5	3.35 85	3.64 92	5.87 149	6.89 175	2.36 60	2.36 60	0.91 23	0.98 25	1.69 43	0.5 15	4.85 2.20	6.00 2.72	133	210	50	46
1-1/2 40	4.41 112	4.38 111	3.94 100	3.88 98	7.48 190	7.68 195	2.71 69	2.71 69	1.5 38	1.25 32	1.93 49	0.5 15	6.39 2.90	7.50 3.4	177	320	90	82
2 50	5.12 130	5.00 127	4.25 108	4.09 104	7.48 190	7.68 195	3.19 81	3.19 81	1.97 50	1.50 40	2.42 61	0.62 16	10.14 4.61	11.00 4.99	350	440	140	120

NOTES

1. See page 20 for actuator and top works dimensions.
2. For Pressure-Temperature ratings see page 25.
3. Valve Torque information is provided on page 28.
4. See page 29 for sample actuator calculations.
5. "How to Order" can be found on page 32.

Toll Free: 1.866.872.0072 • Toll Free Fax: 1.866.872.0073

Local Calls: 905.335.8777 • Local Fax: 905.335.0977 • Email: ifc@islipflowcontrols.com • www.islipflowcontrols.com

